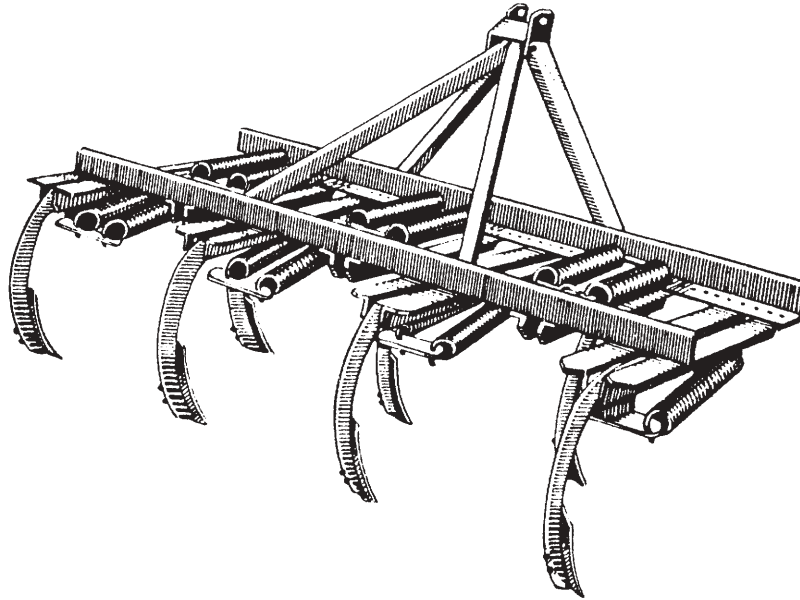


BALTIBOY[®]

the tough TILLER

ROBUST HEAVY DUTY DESIGN



Instruction & Spare Parts

BALTIC[®] **BALTIC KORN A/S**
KÄHLERSBAKKEN 14, DK-4700 NAESTVED
DENMARK
PHONE: (45) 55 73 07 77. FAX: (45) 55 73 07 89

E-mail: baltic@baltimatic.com

SPRING CULTIVATOR.

1. TECHNICAL DATA:

Number of shanks	5	7	9	11	13	15
Weight lbs/kg	287/130	388/176	503/228	624/283	728/330	851/386
Working width (10"/25 cm spacing)	3'3"/100	4'11"/150	6'7"/200	8'2"/250	9'10"/300	11'6"/350
Working depth	up to 7"/18 cm					
Working speed	up to 7 km/h – 4.4 mph.					
Height	3'1"/930 mm. Height of tine: 1'5".					
Operator	1 tractor driver.					

2. BEFORE OPERATION:

Before commencing any operation, the cultivator should be checked over carefully.

Any worn parts should be replaced, loose bolts tightened.

Depending on requirement, spacing between shanks can be changed, (originally positioned with 10"/25 cm spacing).

NOTE: All shanks must be symmetrically spaced.

3. DAILY INSPECTION:

Before commencing operation:

Check all screw connections.

– shovels or points.

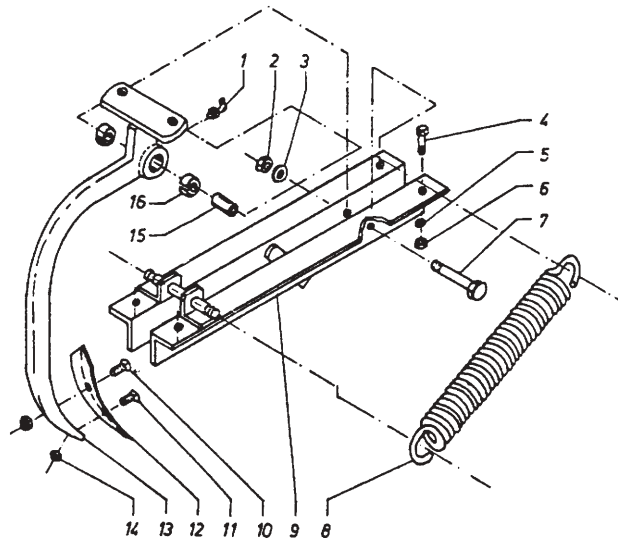
Tighten, fasten where necessary.

4. GREASING:

Only bushings of shanks need greasing – each 50 working hours.

This can be done through grease nipple.

2.

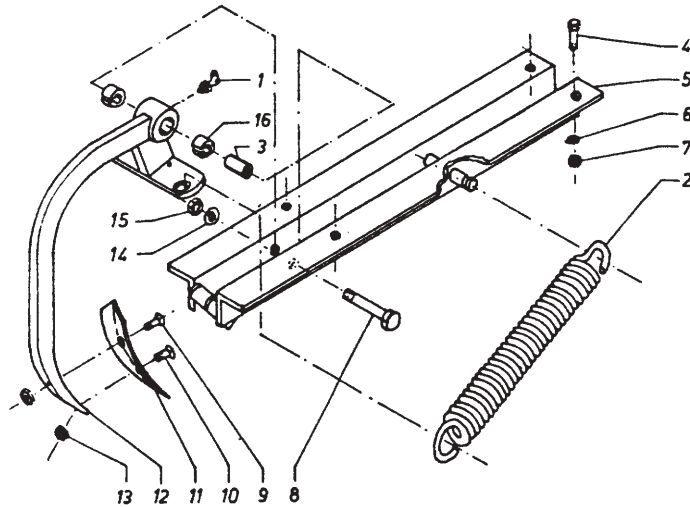


FRONT SECTION.

Pos. No.	Description	Spare part No.	Quantity
1	Grease nipple M6/45°	PN-76/M-86003	1
2	Nut M16-8-B-Fe/Zn-9	PN-86/M-82144	1
3	Spring washer 16.3-Fe/Zn-9	PN-77/M-82008	1
4	Bolt M12x35-8.8-Fe/Zn-9	PN-85/M-82105	4
5	Spring washer 12.2-Fe/Zn-9	PN-77/M-82008	4
6	Nut M12-8-B-Fe/Zn-9	PN-86/M-82144	4
7	Bolt M16x70-8.8-B-Fe/Zn-9	PN-85/M-82101	1
8	Spring	1422/00-008/0	2
9	Arm holder assy. (front)	1422/00-042/0	1
10	Conical bolt AM10x50-5.8-C-Fe/Zn-9	PN-76/M-82402	1
11	Conical bolt AM10x45-5.8-C-Fe/Zn-9	PN-76/M-82402	1
12	Point	1422/00-007/0	1
13	Front shank assy	1422/00-013/0	1
14	Nut M10-8-B-Fe/Zn-9	PN-86/M-82144	2
15	Bushing	1422/00-039/0	1
16	Bushing	1422/00-038/0	2

09.02.95.

3.

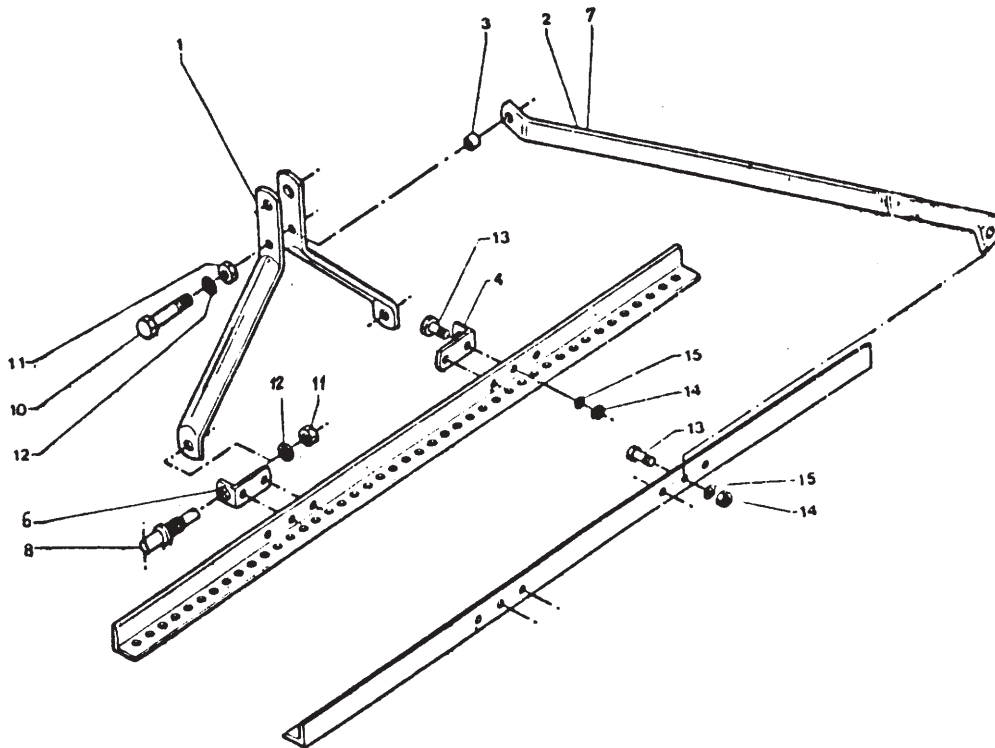


BACK SECTION.

Pos. No.	Description	Spare part No.	Quantity
1	Grease nipple M6/450	PN-76/M-86003	1
2	Spring	1422/00-008/0	2
3	Bushing	1422/00-039/0	1
4	Bolt M12x35-8.8-B-Fe/Zn-9	PN-85/M-82105	4
5	Arm holder assy. (back)	1422/00-043/0	1
6	Spring washer 12.2-Fe/Zn-9	PN-77/M-82008	4
7	Nut M12-8-B-Fe/Zn-9	PN-86/M-82144	4
8	Bolt M16x85-9.8-B-Fe/Zn-9	PN-81/M-82101	1
9	Cinical bolt AM10x50-5.8-C-Fe/Zn-9	PN-76/M-82402	1
10	Conical bolt AM10x45-5.8-C-Fe/Zn-9	PN-76/M-82402	1
11	Point	1422/00-007/0	1
12	Back shank assy.	1422/00-014/0	1
13	Nut M10-8-B-Fe/Zn-9	PN-86/M-82144	2
14	Spring washer 16.3-Fe/Zn-9	PN-77/M-82008	1
15	Nut M16-8-B-Fe/Zn-9	PN-86/M-82144	1
16	Bushing	1422/00-038/0	2

09.02.95.

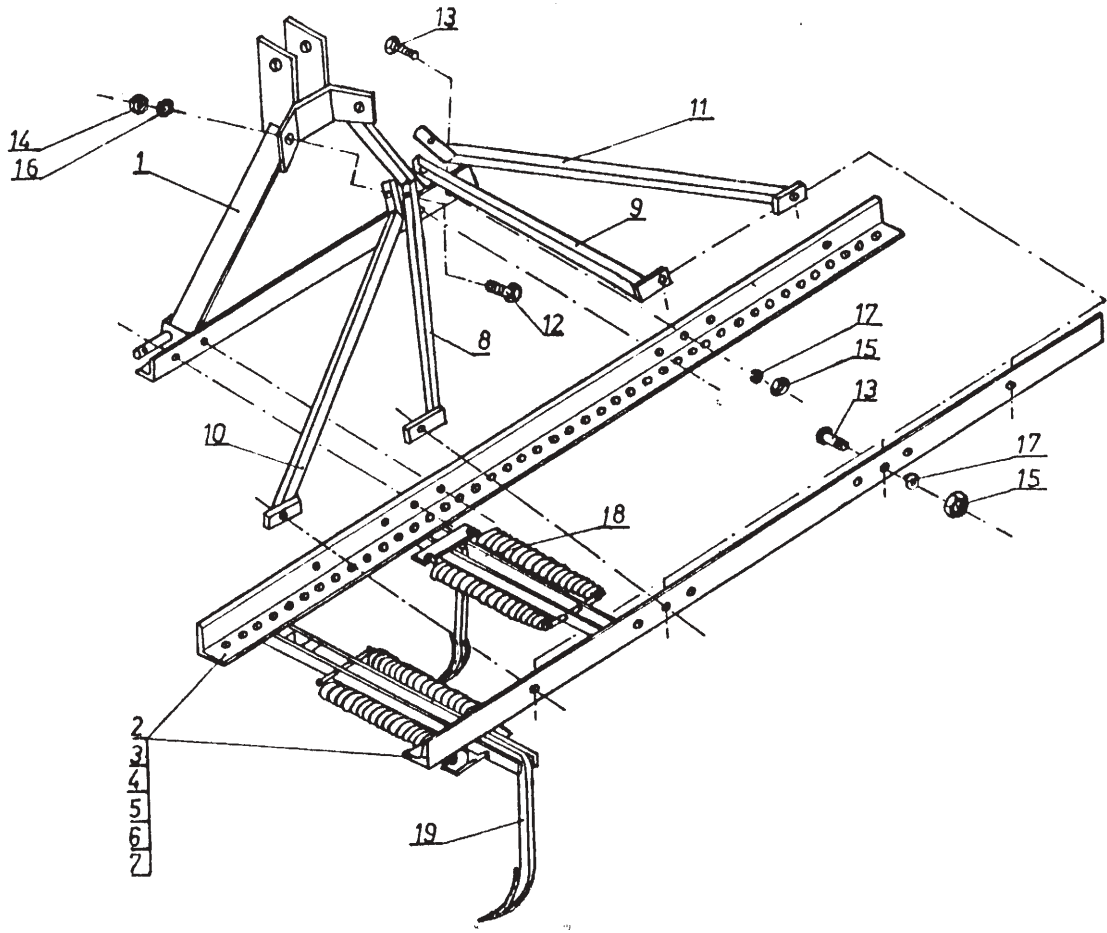
4.



STANDARD 3-POINT HITCH - BOLTED.

Pos. No.	Description	Spare part No.	Quantity
1	Cultivator hitch	1422/00-044/0	2
2	Right support assy.	1422/00-045/0	1
3	Bushing	1422/00-037/0	1
4	Drawer right	1422/00-047/0	1
6	Drawer left	1422/00-048/0	1
7	Left support assy.	1422/00-046/0	1
8	Drawpin	1422/00-006/0	2
10	Bolt M20x100-8.8-B-Fe/Zn-9	PN-85/M-82101	1
11	Nut M20-8-B-Fe/Zn-9	PN-86/M-82144	1
12	Spring washer 20.5-Fe/Zn-9	PN-77/M-82008	1
13	Bolt M12x35-8.8-Fe/Zn-9	PN-85/M-82105	6
14	Nut M12-8-B-Fe/Zn-9	PN-86/M-82144	6
15	Spring washer 12.2-Fe/Zn-9	PN-77/M-82008	6

09.02.95.



HEAVY DUTY 3-POINT HITCH - WELDED.

Pos. No.	Description	Spare part No.	Parts quantity in an unit					
			5 shanks	7 shanks	9 shanks	11 shanks	13 shanks	15 shank
1	Cultivator hitch	1422/00-015/0	1	1	1	1	1	1
2	Frame bar	1422/00-001/0	-	-	2	-	-	-
3	Frame bar	1422/00-016/0	-	2	-	-	-	-
4	Frame bar	1422/00-017/0	2	-	-	-	-	-
5	Frame bar	1422/00-018/0	-	-	-	2	-	-
6	Frame bar	1422/00-019/0	-	-	-	-	2	-
7	Frame bar	1422/00-020/0	-	-	-	-	-	2
8	Left support assy.I	1422/00-021/0	1	1	1	1	1	1
9	Right - - I	1422/00-022/0	1	1	1	1	1	1
10	Left - - II	1422/00-023/0	-	-	-	1	1	1
11	Right - - II	1422/00-024/0	-	-	-	1	1	1
12	Bolt M16x45 8.8-B-Fe/Zn-9	PN-85/M-82105	2	2	2	2	2	2
13	Bolt M12x35 8.8-B-Fe/Zn-9	PN-85/M-82105	6	6	6	8	8	8
14	Nut M16-8-B-Fe/Zn-9	PN-86/M-82144	2	2	2	2	2	2
15	Nut M12-8-B-Fe/Zn-9	PN-86/M-82144	6	6	6	8	8	8
16	Spring washer 16.3-Fe/Zn-9	PN-77/M-82008	2	2	2	2	2	2
17	Spring washer 12.2-Fe/Zn-9	PN-77/M-82008	6	6	6	8	8	8
18	Shank section assy.front	1422/00-044/0	2	3	4	5	6	7
19	Shank section assy.back	1422/00-045/0	3	4	5	6	7	8

Parts

BALTIC PARTS DISTRIBUTOR

NORTH AMERICA *Global Parts Supply*



Mailing Address:
P.O.Box 733
Hermitage, TN 37076
USA

Shipping Address:
3710 Plantation Drive
Hermitage, TN 37076
USA

Telephone: 615/884-8733. Fax: 615/884-8725.
E-mail: globalpartssupply@yahoo.com

Toll-free parts order line:

1-888-914-0777